

## RT5-XXX

### Radio Transmitter Module with SAW Resonator and External Antenna



#### General description

The RT5-XXX is a hybrid circuit that allows to realize a complete radio transmitter adding a coding circuit.

It shows stable electric characteristics thanks to the "Thick film hybrid" technology.

XXX : working frequency (315, 418, 433.92 MHz)

**I-ETS 300 220 Compliance (RT4-433.92-IETS)**

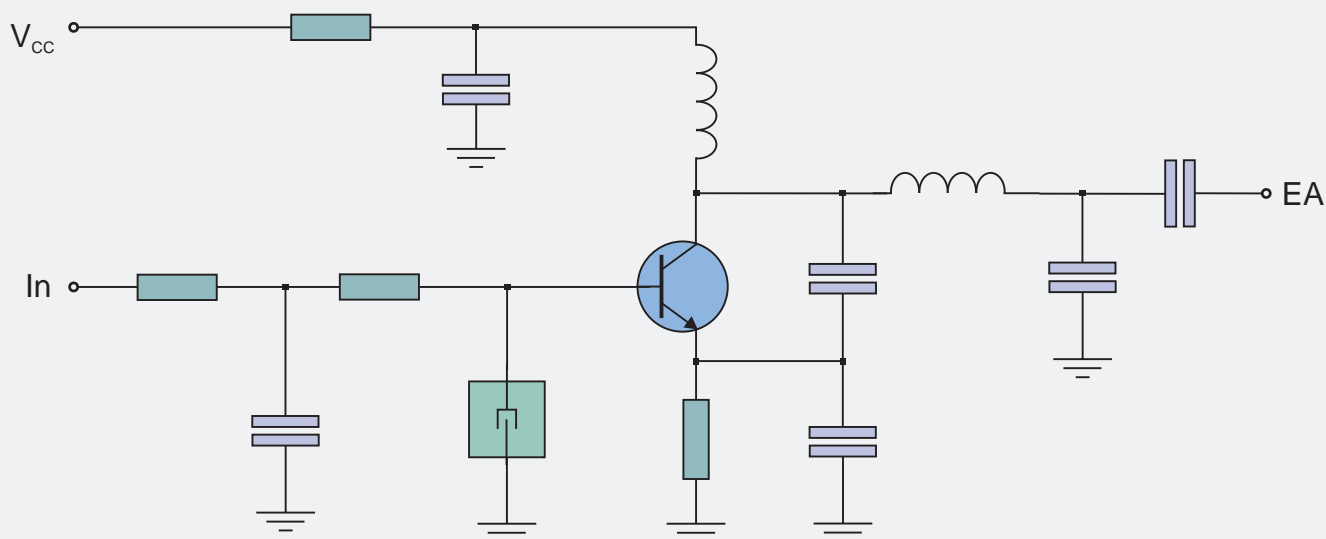
#### Features

- High Reliability
- SIL Package

#### Applications

- Wireless security systems
- Car Alarm systems
- Remote gate controls
- Sensor reporting

#### CIRCUIT SCHEMATIC



## Electrical Characteristics

Ta = 25°C unless otherwise specified

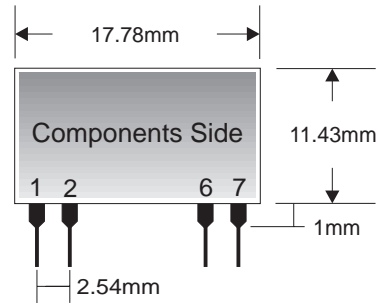
| CHARACTERISTICS |  | MIN   | TYP | MAX             | UNIT |
|-----------------|--|-------|-----|-----------------|------|
| V <sub>CC</sub> | Supply Voltage   | 2     |     | 14              | VDC  |
| I <sub>S</sub>  | Supply Current (V <sub>CC</sub> =5V IN=1KHz Square Wave) |       | 3   |                 | mA   |
| F <sub>W</sub>  | Working Frequency  | 303.8 |     | 433.92          | MHz  |
| P <sub>O</sub>  | RF Output Power into 50Ω (Vi=5V, Vcc=12V)                |       | 7   | 10              | dBm  |
|                 | Harmonic Spurious Emission                               |       | -35 |                 | dBc  |
| V <sub>IH</sub> | Input High Voltage                                       | 2     |     | V <sub>CC</sub> | V    |
|                 | Max Data Rate  |       |     | 4               | KHz  |
| T <sub>OP</sub> | Operating Temperature Range                              | -25   |     | +80             | °C   |

Typically, equipment utilizing this device requires emissions testing and government approval, which is the responsibility of the equipment manufacturer.

## Pin Description

|   |     |                  |
|---|-----|------------------|
| 1 | EA  | External Antenna |
| 2 | IN  | Modulation Input |
| 6 | GND | Ground           |
| 7 | VCC | Supply Voltage   |

## Mechanical Dimensions



## TYPICAL APPLICATION

