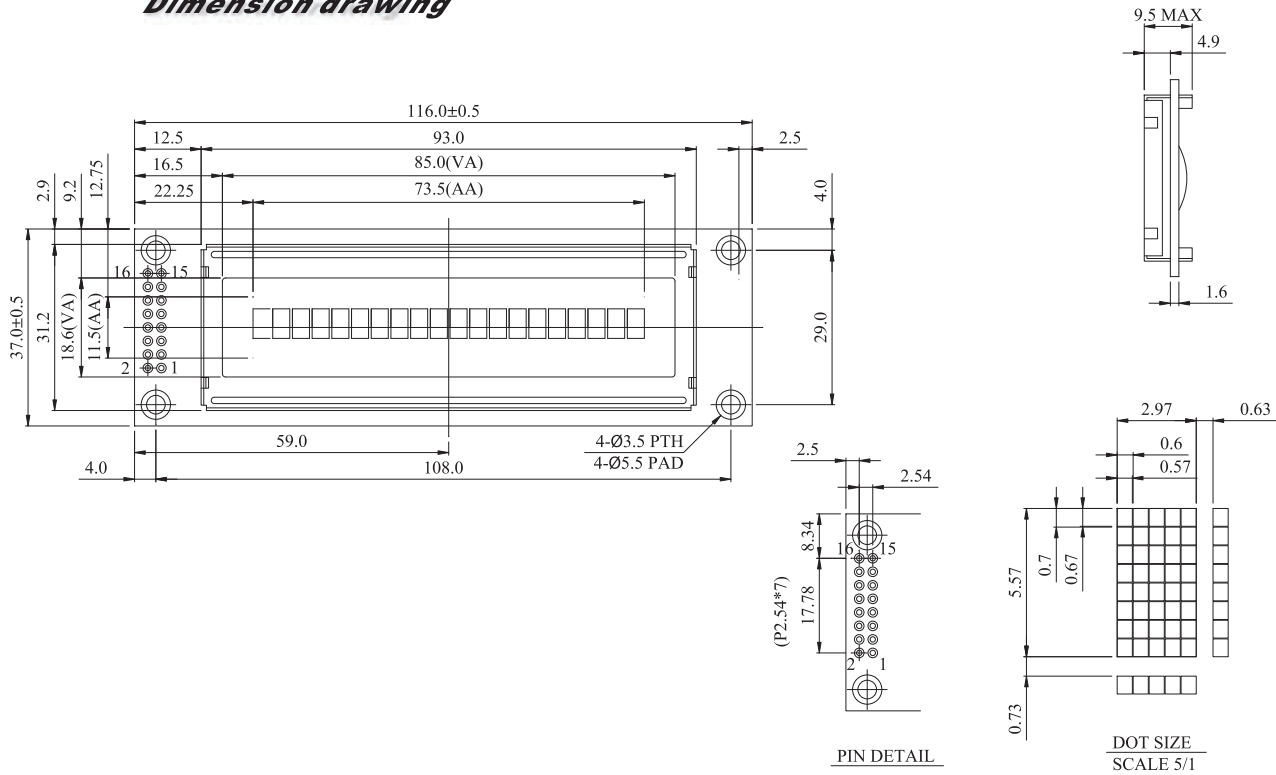


WP2001A Character 20x1

Dimension drawing



Feature

- 1.PLED 20 words 1 Line
- 2.Built in controller(Compatible with HD44780)
- 3.Low power consumption
- 4.High contrast ratio and wide viewing angle

Mechanical Data

Item	Standard Value	Unit
Module Dimension	116x37x9.5	mm
Viewing Area	85x18.6	mm
Mounting hole	108x29	mm
Character Size	2.97x5.57	mm

Character type

Pin NO.	Symbol	Function
1	Vss	GND
2	Vdd	Power supply
3	Vo	Contrast Adjustment
4	RS	H/L register select signal
5	R/W	H/L Read / Write signal
6	E	H→L Enable signal
7	DB0	Data bus line
8	DB1	Data bus line
9	DB2	Data bus line
10	DB3	Data bus line
11	DB4	Data bus line
12	DB5	Data bus line
13	DB6	Data bus line
14	DB7	Data bus line
15	NC	No connection
16	NC	No connection

Absolute Maximum Rating

Symbol	Parameter	Min	Typ	Max	Unit
VDD	Supply voltage for Logic	4.5	5.0	5.5	V
Topr	Operating temperature	-20	---	50	°C
Tatg	Storage temperature	30	---	70	°C
Vbt	Brightness control voltage	2	3	5	V
Tsolder	Soldering Temperature	260°C for S seconds			
Pd	Moduid power consumption @Vbt-3V (Note 1)	50	63	113	mW
Ps	Power saving mode@Vbt-2.5V (Note2)	38	50	63	mW

Item	Operating		Storage	
	Min	Mar	Min	Max
Ambient Temperature	20°C	50°C	30°C	70°C
Humidity	45°C 85%RH		45°C 85%RH	
Corrosive gas	Not Acceptable		Not Acceptable	

Electronical Characteristics

Item	Symbol	Condition	Min	Typ	Max	Unit
Power supply volloge	VDD		4.5		5.5	V
Brightness control voltage	VBT		2	3	5	V
Power supply current	Icc	VDD-5V(Ligical only)		0.35	0.6	mA
High level input voltage	nh		0.7VDD		VDD	V
Low level input voltage	Vil		-0.3		0.55	V
Leakage current	li		-1		1	mA

Display Character Address Code :

Display position	1	2	3	4	5	6	7	8	9	10	11	12	13	14	15	16
DD RAM Address	00	01														0F
DD RAM Address	40	41														4F