

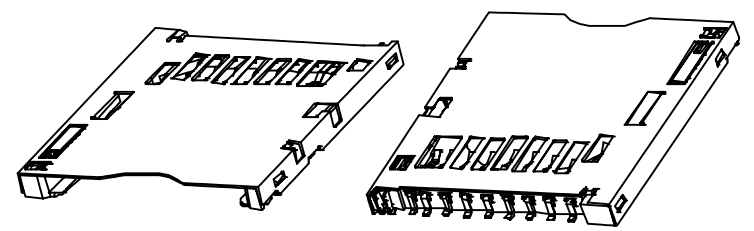
SPECIFICATIONS

Current Rating:0.5A
 Insulation Resistance:250 Megohms Min.At 100V DC
 Contact Resistance:40Milliohms Max.
 Dielectric Withstanding Voltage:100V AC
 Contact Retention:4.2N(0.43kgf) Min.
 Insertion Force:30N(3.06kgf) Max.
 Withdrawal Force:4.2N(0.43kgf)Min.
 Operating Temperature:-30°C To 70°C
 Material And Finish As Below

Item	Parts Name	Material	Finish/Remark
A	Housing	LCP	UL 94v-0,Black
B	Shell	Stainless	Non-Plating
C	Grounding Contact	Stainless	Ni-50u",Tin-100u"
D	Gam Pin	Stainless	Non-Plating
E	Card Lock	Phosphor Bronze	Ni-50u",Tin-100u"
F	Slider Cam	LCP	UL 94V-0,Black
G	Spring	Steel Wire	Non-Plating
H	Contact-SD	Phosphor Bronze	5u" Gold On Contact Area
I	Protect Contact	Phosphor Bronze	5u" Gold On Contact Area
J	Protect Contact And Detect Contact-Switch	Phosphor Bronze	5u" Gold On Contact Area
K	Detect Contact	Phosphor Bronze	5u" Gold On Contact Area

Contact Coplanarity To Be 0.1 Max.
 When Delivering,The PSH/Push Mechanism Is In The State Of The Unlock,
 (Card Dashing Out Position)
 Card Read Only By The Time The Card detection Switch Works
 Open And Close Of Each Switch

Card Insertion Status	Write Protect Switch		Detect Switch
	Write Protect Position	Write Enable Position	
Card Uninsertion	Open	Open	Open
Card Half Insertion	Colse	Colse	Colse
Card Insertion	Open	Open	Open



DRAWING No.
SDC09W5P02

APPROVED BY MEI
 CHECKED BY BECKY
 DRAWING BY HZF

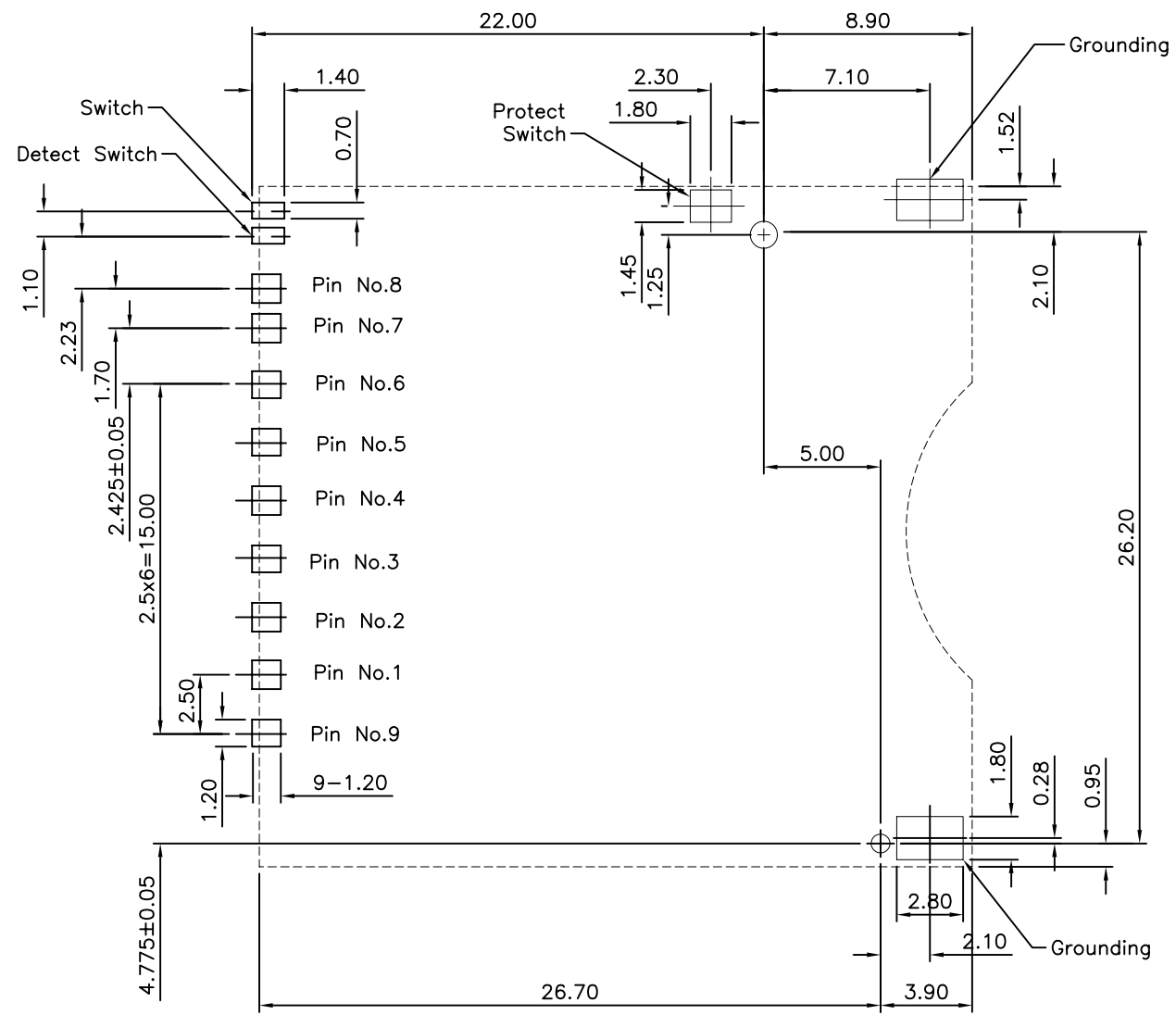
UNLESS OTHERWISE SPECIFIED
 TOLERANCES ARE
 .X ±0.30
 .XX ±0.20
 ANG. ±5°

SCALE NONE

REV. A0

UNIT mm

NO.	REV.	REVISIONS	CHK	DATE
0	A0	NEW RELEASE	MEI	



Recommended PCB Pattern Layout



DRAWING No.
SDC09W5P02

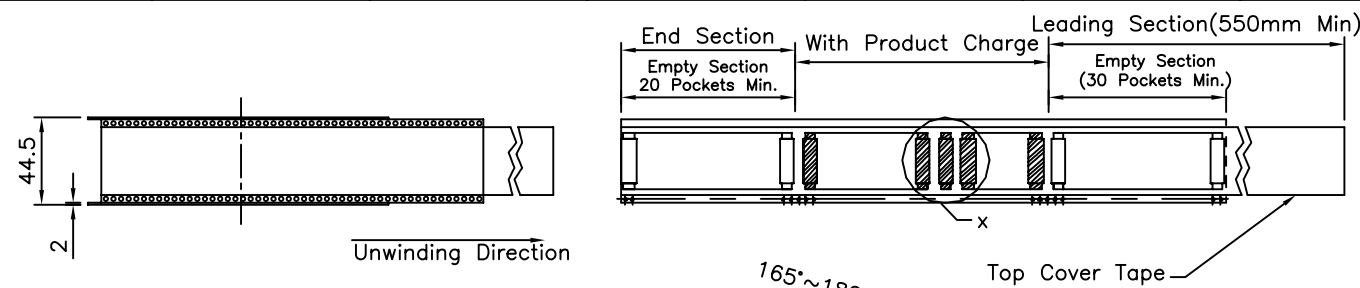
APPROVED BY MEI
CHECKED BY BECKY
DRAWING BY HZF

UNLESS OTHERWISE SPECIFIED
TOLERANCES ARE
.X ±0.30
.XX ±0.20
ANG. ±5°

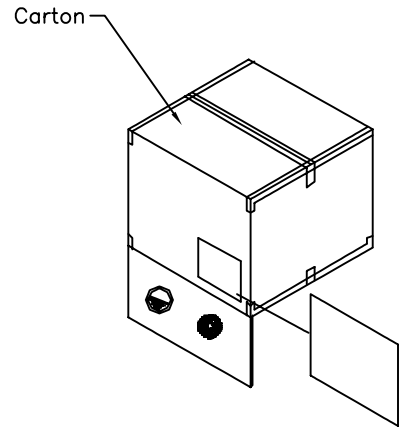
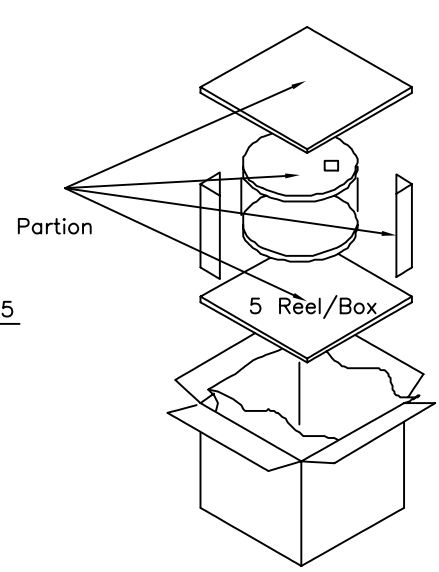
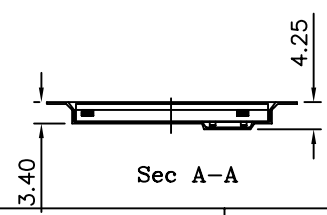
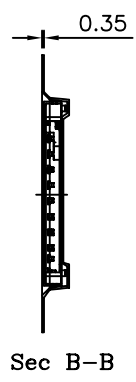
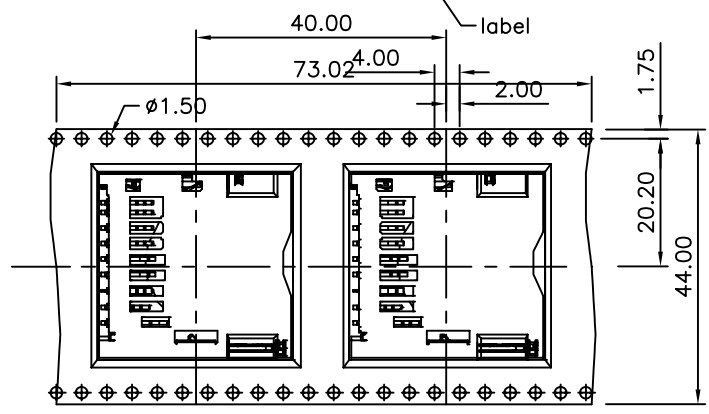
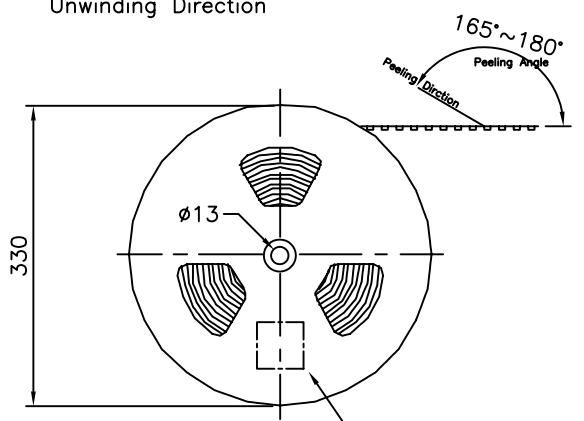
SCALE NONE REV. A0

UNIT mm

NO.	REV.	REVISIONS	CHK	DATE
0	A0	NEW RELEASE	MEI	



SPECIFICATIONS
 Material:
 Reel:PS
 Carrier:PS
 Cover Tape:PET
 Dimension :
 Shipping Carton:L=350,W=350,H=500
 Reel:Dia=330,W=28.5
 Quantity:
 300PCS/Reel
 5 Reels/Shipping Carton
 Peeling Resistance:20g To 130g



AUK A NUMBER OF AUK GROUP
太聯事業股份有限公司
 AUK CONTRACTORS CO., LTD.

DRAWING No.
 SDC09W5P02

APPROVED BY MEI
 CHECKED BY BECKY
 DRAWING BY HZF

UNLESS OTHERWISE SPECIFIED
 TOLERANCES ARE
 .X ±0.30
 .XX ±0.20
 ANG. ±5°
 UNIT mm

SCALE NONE REV. A0

NO.	REV.	REVISIONS	CHK	DATE
0	A0	NEW RELEASE	MEI	