

1 2 3 4 5 6 7 8 9 0

J  
I  
H  
G  
F  
E  
D  
C  
B  
A

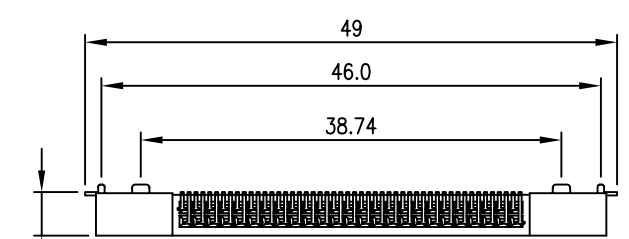
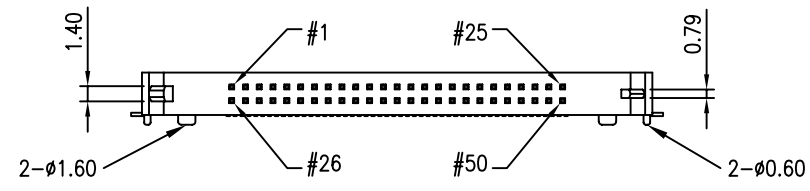
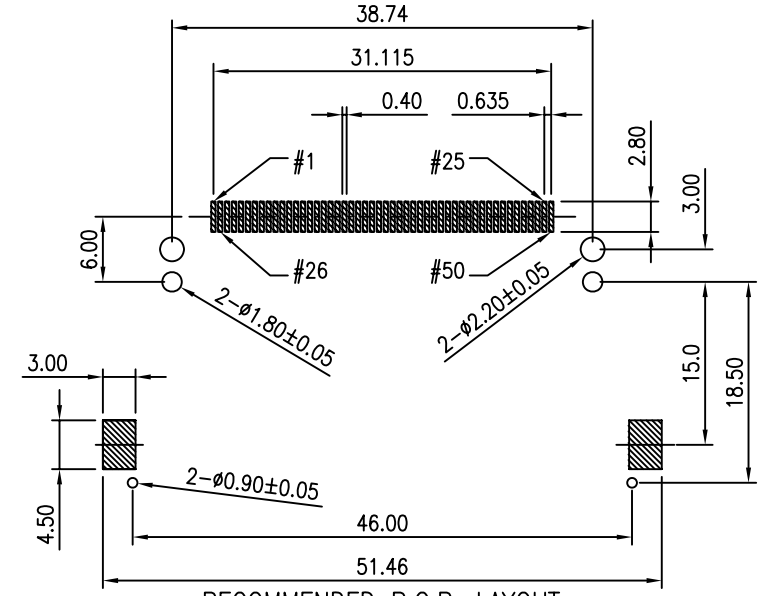
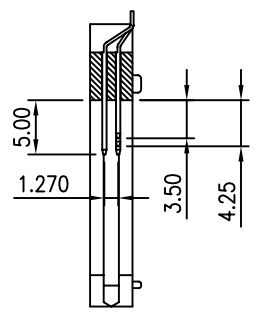
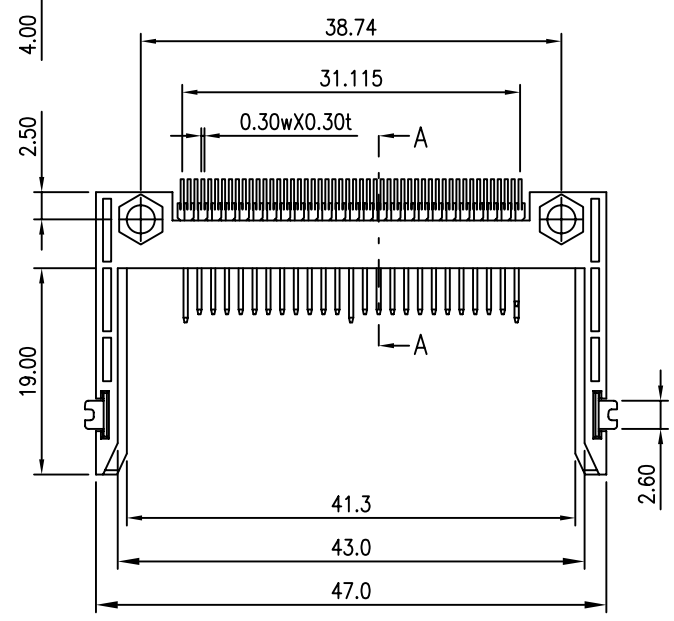
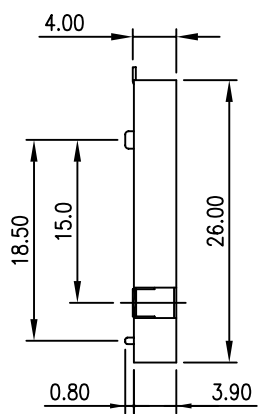


TABLE		
Pin Type	Interface Dim.	Pin No.
Detect	3.5mm (0.138in)	25,26
General	4.25mm (0.167in)	The Others
Power	5.0mm (0.197in)	01,13,38,50

**MATERIAL**  
 HOUSING: HIGH TEMPERATURE THERMOPLASTIC.  
 CONTACT: COPPER ALLOY.  
 PED: BRASS.

**PLATING**  
 CONTACT: UNDERPLATED: 50 u" MIN Ni.  
 CONTACT AREA: SELECT GOLD OVER Ni PLATED.  
 SOLDER TAIL: 100 u" MIN Sn/Pb OVER Ni PLATED.  
 PED: 100 u" MIN Sn/Pb OVER 50 u" MIN Ni PLATED.



PART NO. CFC-PW38CE001-50		CHECKED BY CY		TOLERANCES ARE .X ± 0.3 .XX ± 0.2 .XXX ± 0.1 AWG	DESCRIP TION: CF Card Header Slim Type Normal L=26mm Post:38.74mm
DWG NO. CFC-PW38CE001-50		DRAWING BY			
FILE NO.		PROJECTION		AREA	REVISIONS
UNIT / mm	SCALE 1:1			HK	DATE