

1.MATERIALS AND FINISH

INSULATOR:PPS WITH 30% GLASS FIBRE.
UL94V-0 RATING.

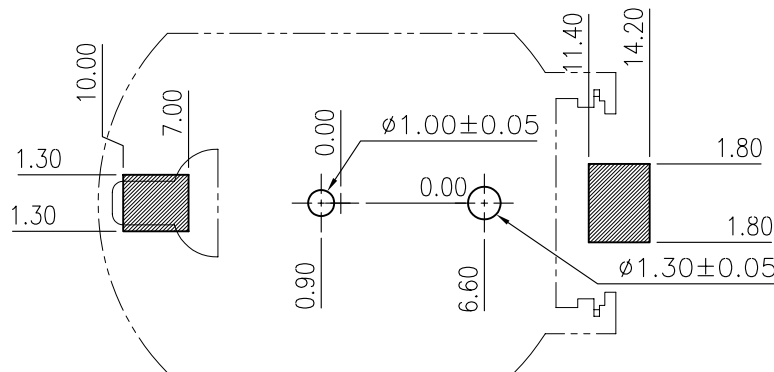
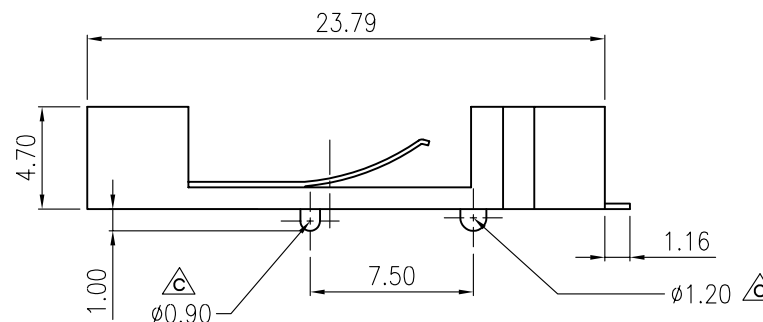
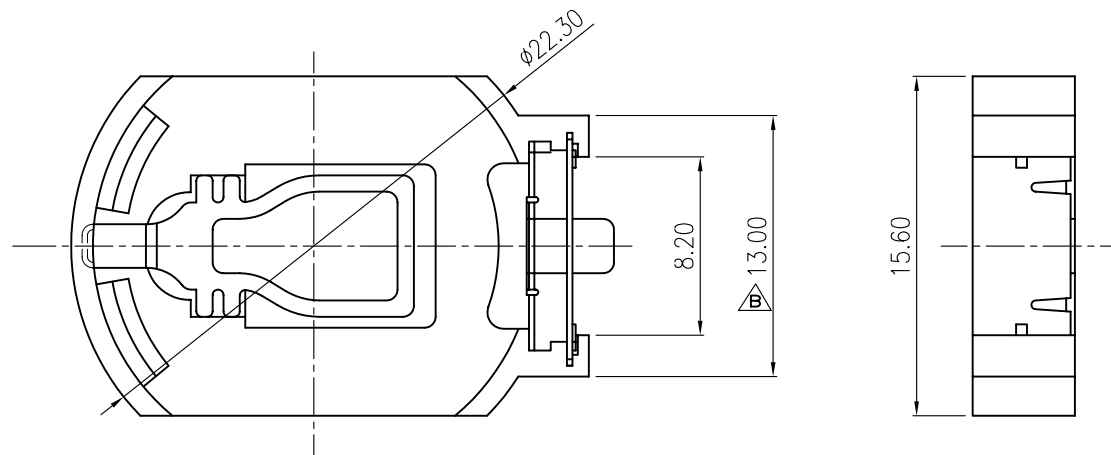
CONTACTS : PHOSPHOR BRONZE ALLOY

CONTACT FINISH : GOLD OVER NICKEL

CONTACT FINISH : GOLD OVER NICKEL

2.ALL DIMENSIONS ARE MILLMETERS

△ 3..一般迴焊爐可承受溫度221°



RECOMMENDED P.C.B LAYOUT

Промэлектроника

PART NO. BTH-V47-20

DWG NO. BTH-V47-20

CHECKED BY CY

TOLERANCES ARE

DESCRIP TION:

I/O STANDARD
BATTERY HOLDER SMT (CR2032)

FILE NO.

DRAWING BY

.X ± 0.25
.XX ± 0.15

AREA

REVISIONS

HK

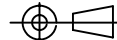
DATE

pr@promelec.ru

UNIT / mm

SCALE 1:1

PROJECTION



.XXX ±
AWG