

# PRODUCT DRAWING

CUSTOMER NO.:

FILENAME:

REVISION: B

DRAWING OF TI8145

ORIGINAL DATE: 07 JUL 2001

TOTAL PAGES: 4

- INITIATE  
 REVISE

EFFECTIVE DATE:

## REVISIONS

REV	DESCRIPTION	DATE
A	Change to set pins.	12 JUL 2001
B	Change pitch of pin from 1.50 to 1.80; Change patterns.	14 JUL 2001

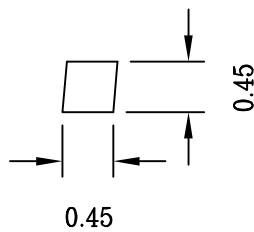
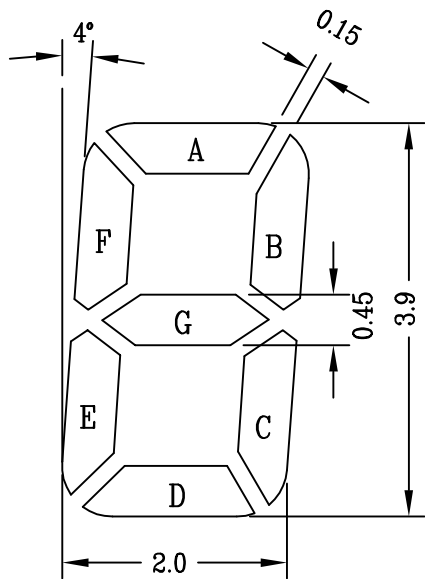
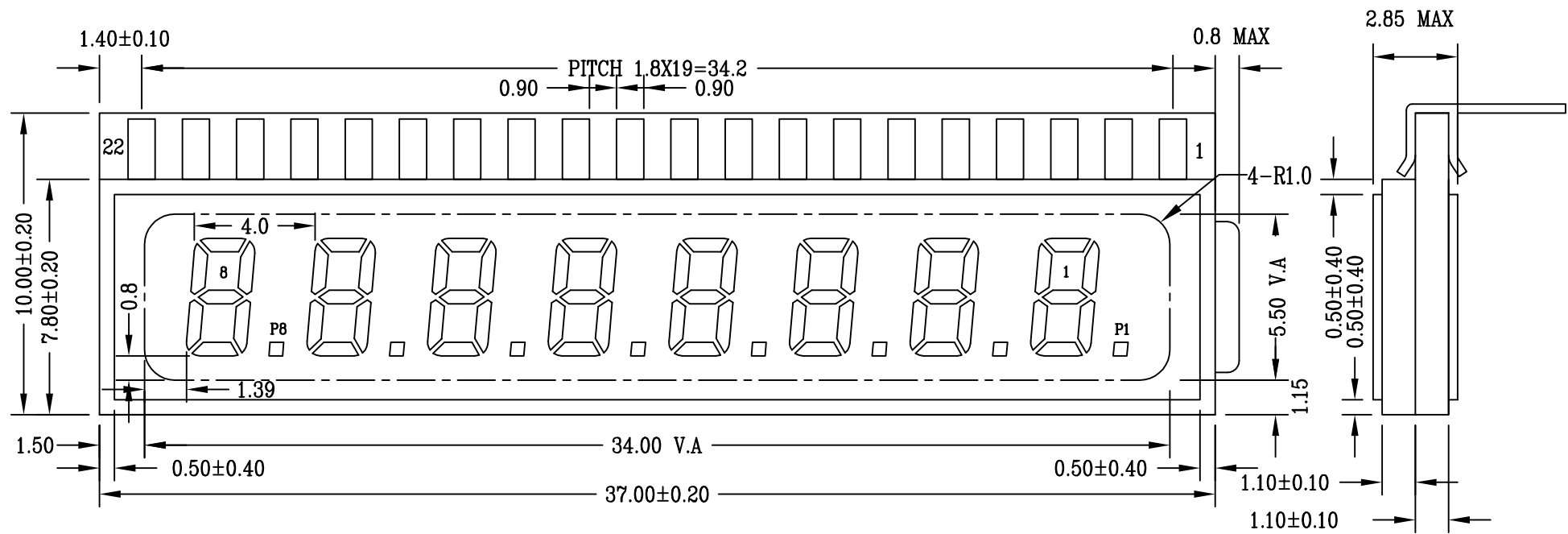
ORIGINATOR

DESIGN MGR.



Please sign and fax back this page to confirm this drawing.  
Please indicate if you need samples.

-----  
Authorized Signatures



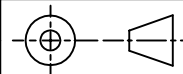
REV	B
-----	---

Designed by:		<b>TI8145</b>
Checked by:		
Approved by:		
Filename:		
		Unit: mm
		Sheet: 2 OF 4

PIN	1	2	3	4	5	6	7	8	9	10	11
COM1	1B	1A	2B	2A	3B	3A	4B	4A	5B	5A	6B
COM2	1G	1F	2G	2F	3G	3F	4G	4F	5G	5F	6G
COM3	1C	1E	2C	2E	3C	3E	4C	4E	5C	5E	6C
COM4	P1	1D	P2	2D	P3	3D	P4	4D	P5	5D	P6
PIN	12	13	14	15	16	17	18	19	20		
COM1	6A	7B	7A	8B	8A	COM1					
COM2	6F	7G	7F	8G	8F		COM2				
COM3	6E	7C	7E	8C	8E			COM3			
COM4	6D	P7	7D	P8	8D				COM4		

<i>REV</i>	<b>B</b>
------------	----------

Designed by:	<b>TI8145</b>
Checked by:	
Approved by:	
Filename:	



Unit:	<b>mm</b>
Sheet:	<b>3 OF 4</b>

A. Dimensions:

1. Length of top glass:  
37.00±0.20 mm

Width of top glass:  
7.80±0.20 mm

2. Length of bottom glass:  
37.00±0.20 mm

Width of bottom glass:  
10.00±0.20 mm

3. Thickness of LCD(max):  
2.85 mm

4. Thickness of glass:  
Top: 1.10 mm  
Bottom: 1.10 mm

5. Length of viewing area:  
Horizontal: 34.00 mm  
Vertical: 5.50 mm

B. Display specification:

1. Duty: 1/4

2. Bias: 1/3

3. Operating voltage: 3.0 V

4. Viewing angle: 6:00

5. Temperature:  
Operating: -20 TO +70°C

Storage: -30 TO +80°C

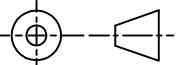
6. Polarizer:  
Top: TRANSMISSIVE

Bottom: REFLECTIVE

7. End seal: RIGHT

8. Length of pin: \_\_\_\_\_ mm  
Pitch of pin: 1.8 mm

REV	B
-----	---

Designed by:		TI8145	
Checked by:			
Approved by:			Unit: mm
Filename:			Sheet: 4 OF 4