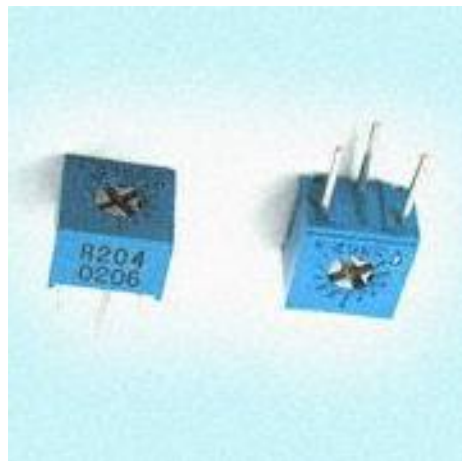


Vatronics Technologies Limited

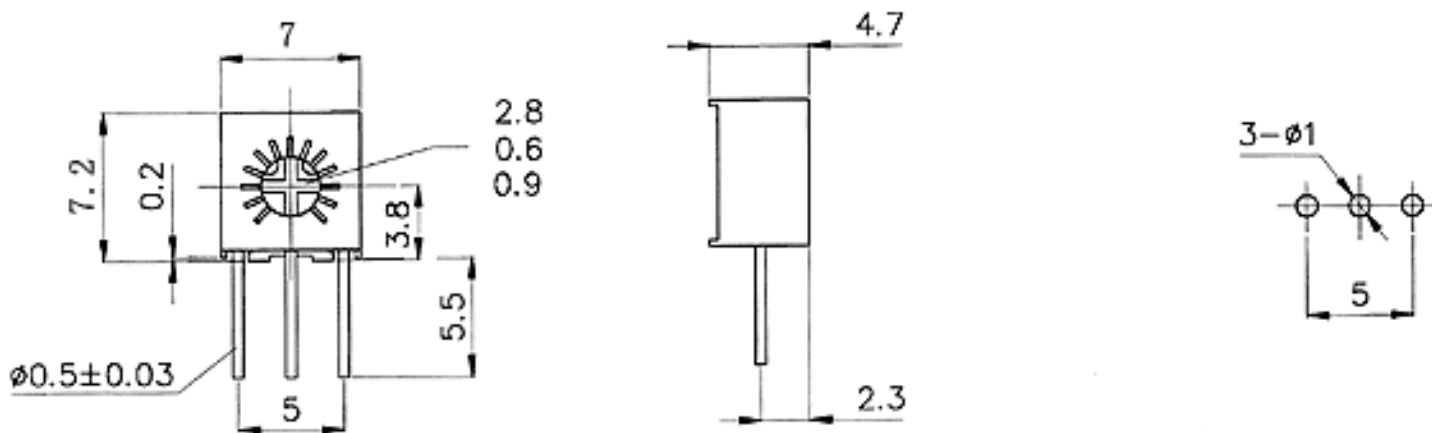
3362 6mm Square Single-Turn Trimmer Potentiometers

Vatronics makes 3362M,3362P,3362R,3362U,3362W,3362X,
Electrical Characteristics
Range of resistance: 10Ω — $2M\Omega$ Resistance tolerance: $\pm 10\%$
Terminal resistance $\leq 2\Omega$ or $1\%R$ Contact resistance variation:
 $CRV \leq 3\%R$ or 3Ω Insulation resistance $R_e \geq 1G\Omega$
Withstand voltage -500Vdc
Effective electrical travel: $210 \pm 10^\circ$ Rated
power: $0.5W \cdot 70^\circ$



Vatronics Temperature range: $-55 \sim +125$
TCR: $\pm 100\text{ppm}/^\circ$; Collision $390\text{m/s}^2 \cdot 4000\text{cycles}$ Vibration 10-2000Hz
 0.75mm , 6h $\Delta R \leq \pm (3\%R + 0.1\Omega)$
Load life at $70^\circ 0.5W$, 1000H $\Delta R \leq \pm (3\%R + 0.1\Omega)$
Mechanical endurance
200 cycles $\Delta R \leq 3\%R \cdot CRV \leq 3\%R$ Starting torque $\leq 36\text{mNm}$

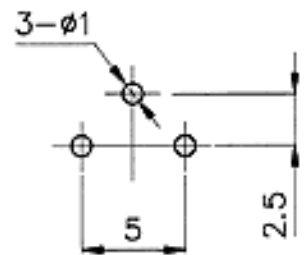
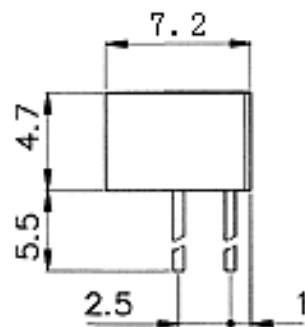
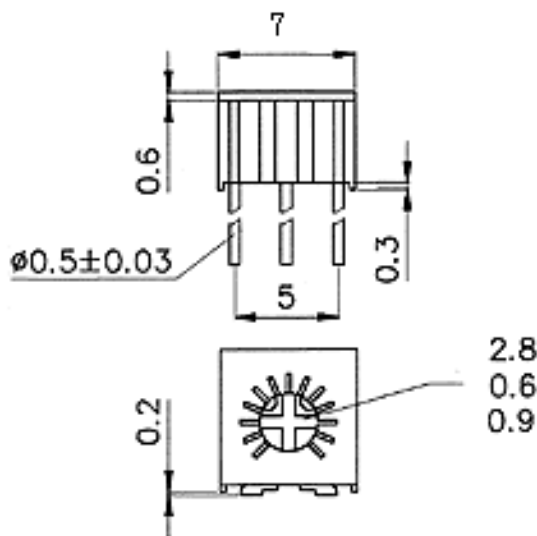
Vatronics Mark: Resistance code, resistance
tolerance ($\pm 10\%$ no indication), lot No.
Standard package 50pcs/tube



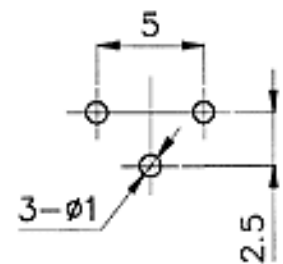
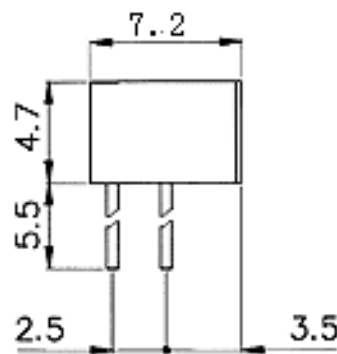
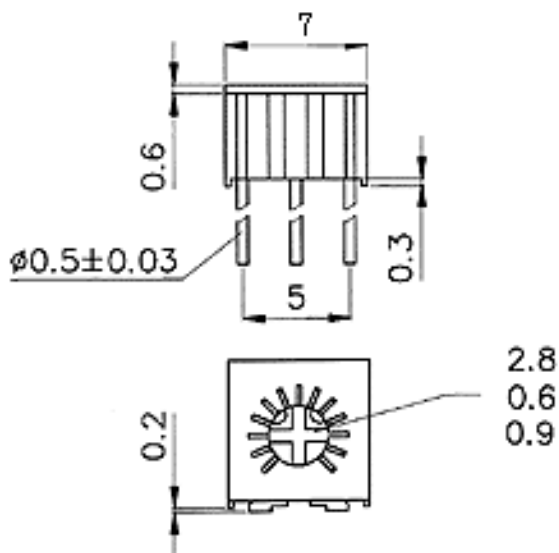
Vatronics 3362M DRAWING

Vatronics Technologies Limited

Unit B, 25 Floor, Xinhua building, Bank of China Tower, Futian District, Shenzhen, Guangdong Province, China. Tel: +8675583509265 Fax +8675582469423 sales@vatronics.com



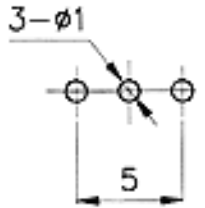
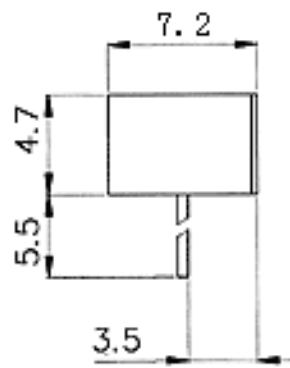
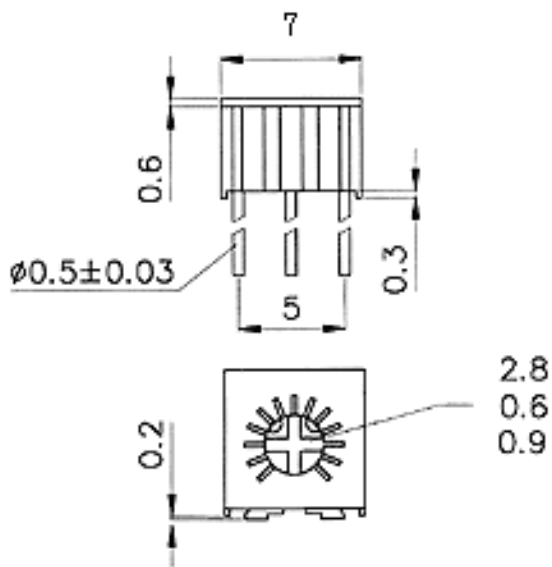
Vatronics 3362P DRAWING



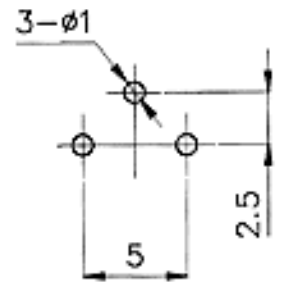
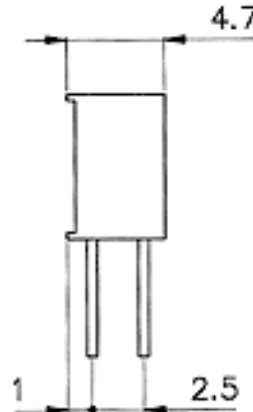
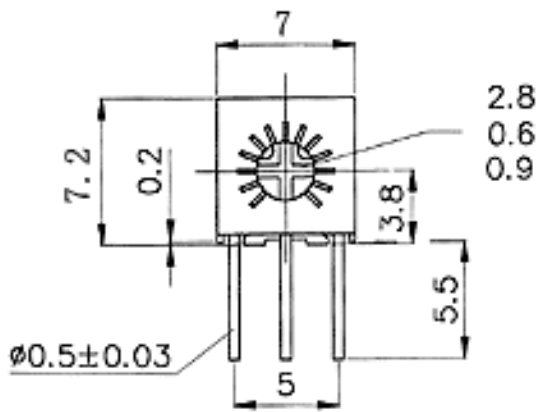
Vatronics 3362R DRAWING

Vatronics Technologies Limited

Unit B, 25 Floor, Xinhua building, Bank of China Tower, Futian District, Shenzhen, Guangdong Province, China. Tel:+8675583509265 Fax +8675582469423 sales@vatronics.com



Vatronics 3362U DRAWING



Vatronics 3362W DRAWING

Vatronics Technologies Limited

Unit B, 25 Floor, Xinhua building, Bank of China Tower, Futian District, Shenzhen, Guangdong Province, China. Tel:+8675583509265 Fax +8675582469423 sales@vatronics.com